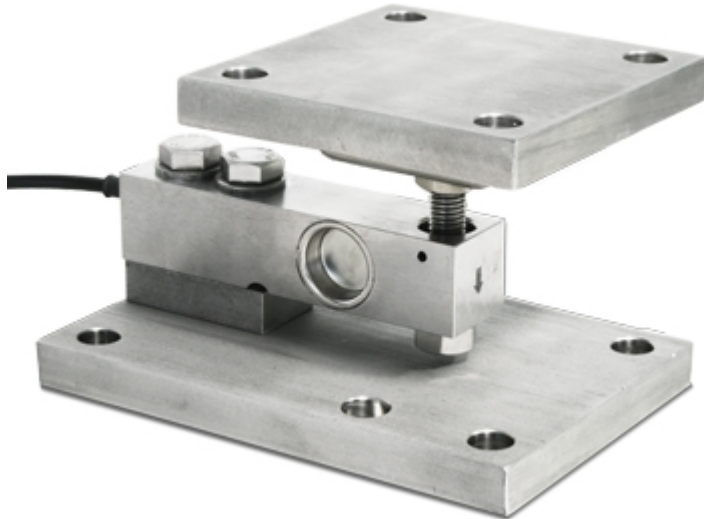


## KSB

### ASSEMBLY KITS FOR SHEAR BEAM LOAD CELLS



Assembly kits for SB... shear beam load cells: accessories suitable for weighing hoppers, tanks, platforms, etc. The special articulation guarantees an excellent measuring accuracy also in the presence of dilatations and/or bending of the weighing structure. Furthermore it's possible to adjust the height for an optimal levelling of the structure to be weighed.

Working in cooperation with:

**VAHY PRO S.R.O.**

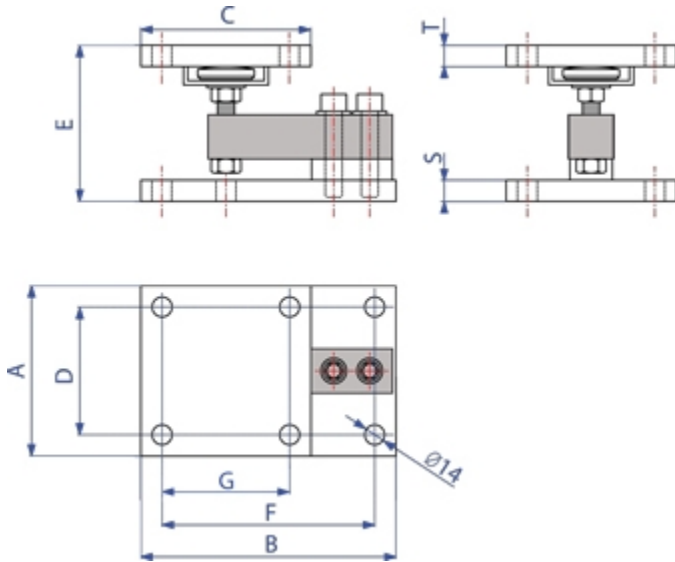
FUGNEROVA 345 - 40004 - TRMICE  
Tel. 0042-0475620800 Fax. 0042-0475620800  
vahypro@vahypro.cz

The best solution  
for advanced industrial  
applications

## MAIN FEATURES

- EXECUTION IN AISI304 STAINLESS STEEL
- HINGE ADJUSTABLE IN HEIGHT
- MECHANICAL COMPENSATION OF THERMAL SWELLINGS AND TRANSVERSAL FORCES
- EASY TO INSTALL
- GUARANTEES THE MAXIMUM PRECISION OF THE LOAD CELL.

## DETAIL 1



	A	B	C	D	E	F	G	S	T
KSB2	120	180	120	90	110	150	90	15	15
KSB5	120	215	120	90	150	185	90	25	15

dimensions in mm



www.diniargeo.com



“YOUR WORLDWIDE PARTNER FOR WEIGHING,”

**DINI ARGEO**  
**FRANCE sarl**  
Nogent-sur-Marne

**DINI ARGEO**  
**GMBH**  
Sinsheim - Germany

**DINI ARGEO**  
**UK Ltd**  
Taunton - United Kingdom

**DINI ARGEO WEIGHING**  
**INSTRUMENTS Ltd**  
Shanghai - China

**DINI ARGEO**  
**WEIGHBRIDGES**  
Calto (RO) – Italy



**HEAD OFFICE**  
Via Della Fisica, 20  
41042 Spezzano di Fiorano Modena - Italy



**VAHY PRO S.R.O.**

FUGNEROVA 345 - 40004 - TRMICE

Tel. 0042-0475620800 Fax. 0042-0475620800

vahypro@vahypro.cz

SALES AND TECHNICAL ASSISTANCE SERVICE