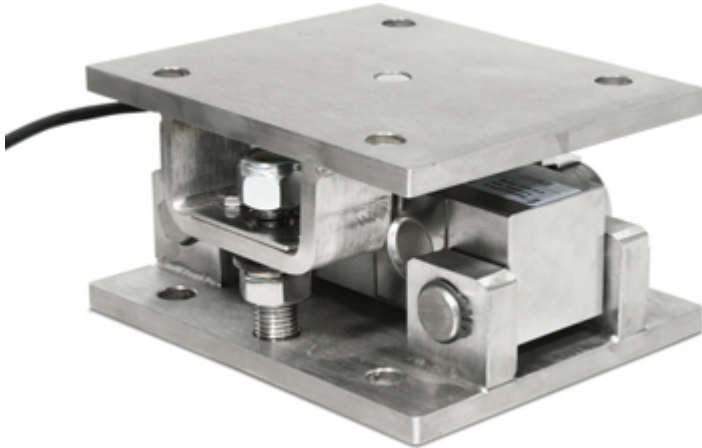


KDSBN

ASSEMBLY KITS FOR DOUBLE SHEAR BEAM LOAD CELLS



Mounting kits for DSBi double shear beam load cells: Accessories suitable for weighing hoppers, tanks, platforms, etc. etc. The special articulation guarantees an excellent measuring accuracy also in the presence of dilatations and/or bending of the weighing structure.

Working in cooperation with:

VAHY PRO S.R.O.

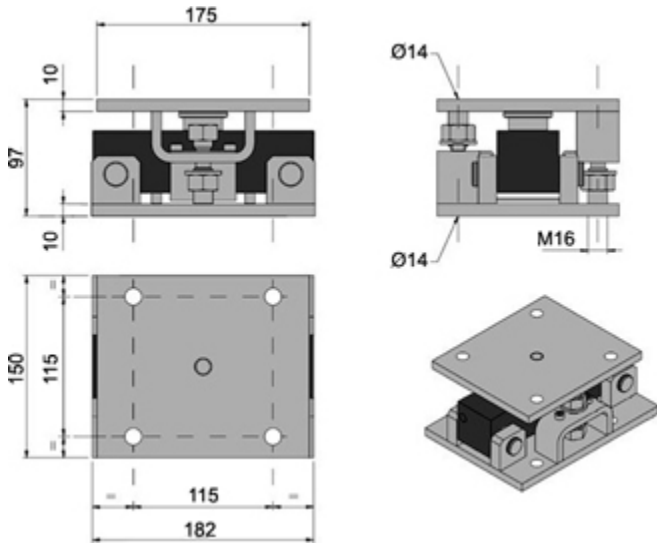
FUGNEROVA 345 - 40004 - TRMICE
Tel. 0042-0475620800 Fax. 0042-0475620800
vahypro@vahypro.cz

The best solution
for advanced industrial
applications

MAIN FEATURES

- EXECUTION IN AISI304 STAINLESS STEEL
- GREAT RESISTANCE TO LATERAL FORCES
- BOLTS FOR MAINTAINING THE RAISED POSITION, FOR EASY INSTALLMENT AND/OR SUBSTITUTION OF THE LOAD CELL
- SELF-CENTERING CONNECTION SEGMENT BETWEEN LOWER AND UPPER PLATES.

DETAIL 1



KDSBN: dimensions in mm



www.diniargeo.com



“YOUR WORLDWIDE PARTNER FOR WEIGHING,”

DINI ARGEO
FRANCE sarl
Nogent-sur-Marne

DINI ARGEO
GMBH
Sinsheim - Germany

DINI ARGEO
UK Ltd
Taunton - United Kingdom

DINI ARGEO WEIGHING
INSTRUMENTS Ltd
Shanghai - China

DINI ARGEO
WEIGHBRIDGES
Calto (RO) – Italy



HEAD OFFICE
Via Della Fisica, 20
41042 Spezzano di Fiorano Modena - Italy



VAHY PRO S.R.O.

FUGNEROVA 345 - 40004 - TRMICE

Tel. 0042-0475620800 Fax. 0042-0475620800

vahypro@vahypro.cz

SALES AND TECHNICAL ASSISTANCE SERVICE