

RSB

RSB DOUBLE SHEAR BEAM LOAD CELLS



Double shear beam load cells particularly suitable for weighing weighbridges, dosage systems, tanks, silos, etc., complete of support and oscillating sphere joint. CE-M approved.

CAPACITIES (kg): 25000.

Nickel-plated steel. IP68 protection. C3 precision class.

Working in cooperation with:

VAHY PRO S.R.O.

FUGNEROVA 345 - 40004 - TRMICE
Tel. 0042-0475620800 Fax. 0042-0475620800
vahypro@vahypro.cz

The best solution
for advanced industrial
applications

MAIN FEATURES

- C3 PRECISION CLASS;
- EXECUTED IN NICKEL-PLATED STEEL WITH LASER SOLDERINGS;
- HIGH PRECISION AND LINEARITY ALSO WITH NON PERPENDICULAR LOADS;
- OPTIMISED FOR PARALLEL CONNECTION;
- IP68 PROTECTION DEGREE;
- UP TO 25000kg CAPACITY;
- SHIELDED TEFLON CONNECTION CABLE;
- TEST CERTIFICATE AVAILABLE UPON REQUEST.

TECHNICAL FEATURES

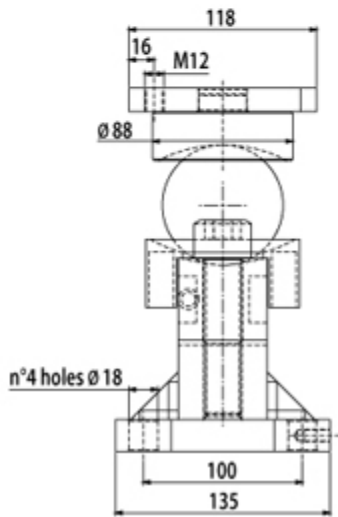
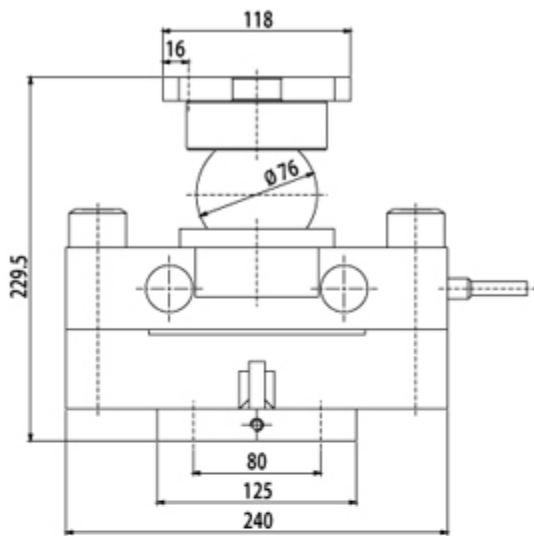
- Minimum verification interval: $V_{min} = E_{Max} / 10.000$;
- Maximum number of load cell divisions: $n_{LC}=3000$ (C3);
- Full Scale Output: $2mV/V \pm 0,2\%$;
- Temperature effect on full scale output: $0,0014\%FS/^{\circ}C$;
- Temperature effect on the zero: $\pm 0,0017\%FS/^{\circ}C$;
- Compensated temperature range: $-10^{\circ}C/+40^{\circ}C$;
- Operating temperature range: $-35^{\circ}C/+65^{\circ}C$;
- Creep error after 30 minutes: $0,02\%$ F.S.;
- Excitation voltage: from 5 to 18 VDC;
- Input Resistance: 700 ± 7 Ohm;
- Output Resistance: 700 ± 7 Ohm;
- Zero Balance: $\pm 1,5\%$ F.S.;
- Insulation resistance > 5000 MOhm;
- Safe overload $> 150\%$ F.S.;
- Maximum overload 300% F.S.;
- 4-wire shielded cable, 12m long.

<u>Wiring Code</u>	
<u>Colour</u>	<u>Function</u>
--	SHIELD
GREEN	OUTPUT +
RED	INPUT +
WHITE	OUTPUT -
BLACK	INPUT -

ATEX VERSION

- The CCATEX certificate makes the load cell suitable for use in hazardous areas with protection methods according to:
ATEX II 1G Ex ia IIC T6 (Ta $-20 \div +40^{\circ}C$) TX (Ta $-20 \div +65^{\circ}C$) Ga
ATEX II 1D Ex ta IIIC TX $^{\circ}C$ (Ta $-20 \div +40^{\circ}C$) TX $^{\circ}C$ (Ta $-20 \div +65^{\circ}C$) Da IP65.
The certificate includes the manual and the ATEX CE conformity declaration (available in EN, DE, FR, and IT).
- IMPORTANT: the certificate refers to the single load cell. For systems with more load cells, it is necessary to order one certificate for each load cell.

DETAIL 1



VERSIONS

Available versions

Code	Max (kg)	Masterpack
RSB25C3	25000	4 pcs RSB25C3C



www.diniargeo.com



“YOUR WORLDWIDE PARTNER FOR WEIGHING,”

DINI ARGEO
FRANCE sarl
Nogent-sur-Marne

DINI ARGEO
GMBH
Sinsheim - Germany

DINI ARGEO
UK Ltd
Taunton - United Kingdom

DINI ARGEO WEIGHING
INSTRUMENTS Ltd
Shanghai - China

DINI ARGEO
WEIGHBRIDGES
Calto (RO) – Italy



HEAD OFFICE
Via Della Fisica, 20
41042 Spezzano di Fiorano Modena - Italy



VAHY PRO S.R.O.

FUGNEROVA 345 - 40004 - TRMICE

Tel. 0042-0475620800 Fax. 0042-0475620800

vahypro@vahypro.cz

SALES AND TECHNICAL ASSISTANCE SERVICE