

SBX500-2000

SBX-1K SERIES SHEAR BEAM LOAD CELLS, from 500kg to 2000kg



Stainless steel approved shear beam load cells, with capacities from 500kg to 2000kg, with IP68 protection.

Particularly suitable for creating CE-M approved scales with 4 load cells, or for weighing tanks and hoppers, with the aid of its accessories.

CAPACITIES (kg): 500, 1000, 2000.

17-4 PH stainless steel. IP68 protection. C3 precision class.

Working in cooperation with:

VAHY PRO S.R.O.

FUGNEROVA 345 - 40004 - TRMICE
Tel. 0042-0475620800 Fax. 0042-0475620800
vahypro@vahypro.cz

The best solution
for advanced industrial
applications

MAIN FEATURES

- C3 PRECISION CLASS
- 17-4 PH STAINLESS STEEL CONSTRUCTION WITH LASER WELDING
- IP68 PROTECTION
- MAX. CAPACITIES FROM 500 TO 2000 kg
- SHIELDED CONNECTION CABLE
- TEST CERTIFICATE AVAILABLE UPON REQUEST

TECHNICAL FEATURES

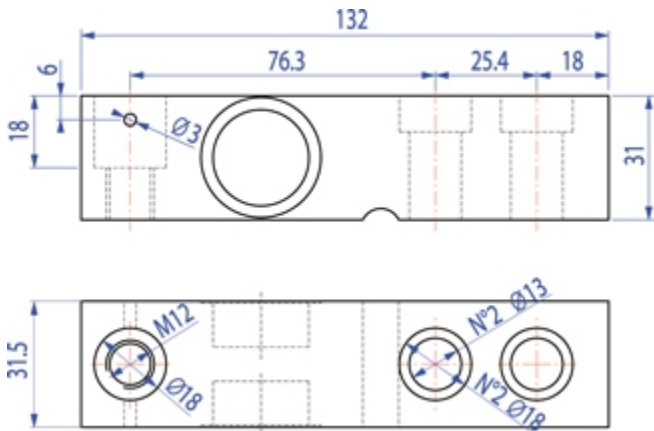
- Minimum load cell verification interval $V_{min} = E_{Max} / 10.000$
- Maximum number of verification intervals $n_{LC} = 3000$
- Combined error 0,017% of Full Scale Output (F.S.)
- Full Scale Output 2mV/V +/- 0.5%
- Temperature effect on zero 0,002% / °C
- Temperature effect on full scale output 0,002% / °C
- Compensated Temperature Range -10°C/+50°C
- Operating Temperature Range -20°C/+60°C
- Creep error after 30 minutes 0,02% F.S.
- Maximum tolerated excitation voltage 15 VDC
- Input Resistance 1100 ± 20 Ohm
- Output Resistance 1000 ± 20 Ohm
- Insulation Resistance >5000 MOhm
- Safe Overload 150% F.S.
- Ultimate Overload 300% F.S.
- 6-wire shielded cable, 5m long, 5 mm diameter

ATEX VERSION

- The CCATEX certificate makes the load cell suitable for use in hazardous areas with protection methods according to:
ATEX II 1G Ex ia IIC T6 (Ta -20÷+40°C) TX (Ta -20÷+65°C) Ga
ATEX II 1D Ex ta IIIC TX°C (Ta -20÷+40°C) TX°C (Ta -20÷+65°C) Da IP65.
The certificate includes the manual and the ATEX CE conformity declaration (available in EN, DE, FR, and IT).
- IMPORTANT: the certificate refers to the single load cell. For systems with more load cells, it is necessary to order one certificate for each load cell.

DIMENSIONS - DECODING STANDARD CABLE

- NOTE: dimensions in mm



- Decoding of the standard cable colours

Colour	Function
--	SHIELD
YELLOW	OUTPUT +
GREY	SENSE +
BROWN	INPUT +
WHITE	OUTPUT -
GREEN	INPUT -
PINK	SENSE -

VERSIONS

Available models

Code	Max (kg)	Masterpack
SBX500-1K M	500	SBX500-1KC
SBX1000-1K M	1000	SBX1000-1KC
SBX2000-1K M	2000	SBX2000-1KC



www.diniargeo.com



“YOUR WORLDWIDE PARTNER FOR WEIGHING,”

DINI ARGEO
FRANCE sarl
Nogent-sur-Marne

DINI ARGEO
GMBH
Sinsheim - Germany

DINI ARGEO
UK Ltd
Taunton - United Kingdom

DINI ARGEO WEIGHING
INSTRUMENTS Ltd
Shanghai - China

DINI ARGEO
WEIGHBRIDGES
Calto (RO) – Italy



HEAD OFFICE
Via Della Fisica, 20
41042 Spezzano di Fiorano Modena - Italy



VAHY PRO S.R.O.

FUGNEROVA 345 - 40004 - TRMICE

Tel. 0042-0475620800 Fax. 0042-0475620800

vahypro@vahypro.cz

SALES AND TECHNICAL ASSISTANCE SERVICE