

SBX3000-5000

SBX-1K SERIES SHEAR BEAM LOAD CELLS, from 3000kg to 4500kg



Stainless steel approved shear beam load cells, with IP68 protection.

Particularly suitable for creating CE-M approved scales with 4 load cells, or for weighing tanks and hoppers, with the aid of its accessories.

---

CAPACITIES (kg): 3000, 4500.

---

17-4 PH stainless steel. IP68 protection. C3 precision class.

---

Working in cooperation with:

**VAHY PRO S.R.O.**

FUGNEROVA 345 - 40004 - TRMICE  
Tel. 0042-0475620800 Fax. 0042-0475620800  
vahypro@vahypro.cz

The best solution  
for advanced industrial  
applications

## MAIN FEATURES

- C3 PRECISION CLASS
- 17-4 PH STAINLESS STEEL CONSTRUCTION WITH LASER WELDING
- IP68 PROTECTION
- MAX. CAPACITIES FROM 3000 TO 4500 kg
- SHIELDED CONNECTION CABLE
- TEST CERTIFICATE AVAILABLE UPON REQUEST

## TECHNICAL FEATURES

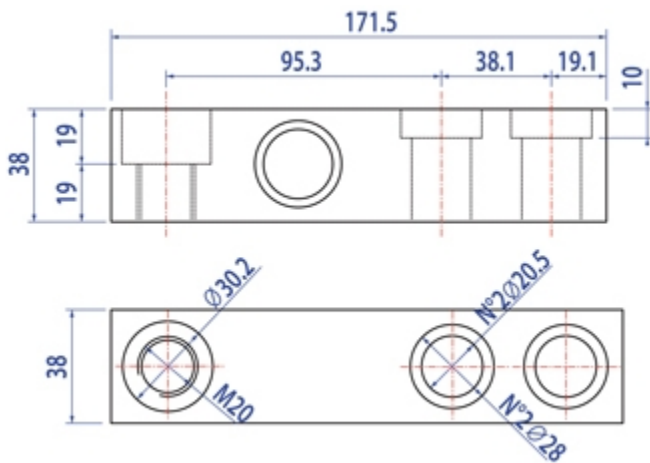
- Minimum load cell verification interval  $V_{min} = E_{Max} / 10.000$
- Maximum number of verification intervals:  $n_{LC} = 3000$
- Combined error 0,017% of Full Scale Output (F.S.)
- Full Scale Output 2mV/V +/- 0.5%
- Temperature effect on zero 0,002% / °C
- Temperature effect on full scale output 0,002% / °C
- Compensated Temperature Range -10°C/+50°C
- Operating Temperature Range -20°C/+60°C
- Creep error after 30 minutes 0,02% F.S.
- Maximum tolerated excitation voltage 15 VDC
- Input Resistance  $1100 \pm 20$  Ohm
- Output Resistance  $1000 \pm 20$  Ohm
- Insulation Resistance: >5000 MOhm
- Safe Overload 150% F.S.
- Ultimate Overload 300% F.S.
- 6-wire shielded cable, 5m long, 5 mm diameter

## ATEX VERSION

- The CCATEX certificate makes the load cell suitable for use in hazardous areas with protection methods according to:  
ATEX II 1G Ex ia IIC T6 (Ta -20÷+40°C) TX (Ta -20÷+65°C) Ga  
ATEX II 1D Ex ta IIIC TX°C (Ta -20÷+40°C) TX°C (Ta -20÷+65°C) Da IP65.  
The certificate includes the manual and the ATEX CE conformity declaration (available in EN, DE, FR, and IT).
- IMPORTANT: the certificate refers to the single load cell. For systems with more load cells, it is necessary to order one certificate for each load cell.

## DIMENSIONS - DECODING STANDARD CABLE

- NOTE: dimensions in mm



- Decoding of the standard cable colours

Colour	Function
--	SHIELD
YELLOW	OUTPUT +
GREY	SENSE +
BROWN	INPUT +
WHITE	OUTPUT -
GREEN	INPUT -
PINK	SENSE -

## VERSIONS

### Available models

Code	Max (kg)	Masterpack
SBX3000-1K <b>M</b>	3000	4 pcs SBX3000-1KC
SBX4500-1K <b>M</b>	4500	SBX4500-1KC



www.diniargeo.com



“YOUR WORLDWIDE PARTNER FOR WEIGHING,”

**DINI ARGEO**  
**FRANCE sarl**  
Nogent-sur-Marne

**DINI ARGEO**  
**GMBH**  
Sinsheim - Germany

**DINI ARGEO**  
**UK Ltd**  
Taunton - United Kingdom

**DINI ARGEO WEIGHING**  
**INSTRUMENTS Ltd**  
Shanghai - China

**DINI ARGEO**  
**WEIGHBRIDGES**  
Calto (RO) – Italy



**HEAD OFFICE**  
Via Della Fisica, 20  
41042 Spezzano di Fiorano Modena - Italy



**VAHY PRO S.R.O.**

FUGNEROVA 345 - 40004 - TRMICE

Tel. 0042-0475620800 Fax. 0042-0475620800

vahypro@vahypro.cz

SALES AND TECHNICAL ASSISTANCE SERVICE