

## SPN

### SPN SERIES SINGLE POINT LOAD CELLS



Load cells for off center loads, suitable for example to build CE-M approved scales with a single load cell; maximum platform dimensions of 800x800 mm.

---

CAPACITIES (kg): 300, 500, 750.

---

Aluminium alloy. IP67 protection. C3 precision class.

---

Working in cooperation with:

**VAHY PRO S.R.O.**

FUGNEROVA 345 - 40004 - TRMICE  
Tel. 0042-0475620800 Fax. 0042-0475620800  
vahypro@vahypro.cz

The best solution  
for advanced industrial  
applications

## MAIN FEATURES

- C3 PRECISION CLASS
- OFF CENTER LOAD COMPENSATED
- ALUMINIUM ALLOY CONSTRUCTION
- IP67 PROTECTION
- MAX. CAPACITIES FROM 300 TO 750 kg
- FOR PLATFORMS WITH DIMENSIONS UP TO 800 X 800 mm
- SHIELDED CONNECTION CABLE
- OIML CERTIFICATE AVAILABLE UPON REQUEST
- TEST CERTIFICATE AVAILABLE UPON REQUEST

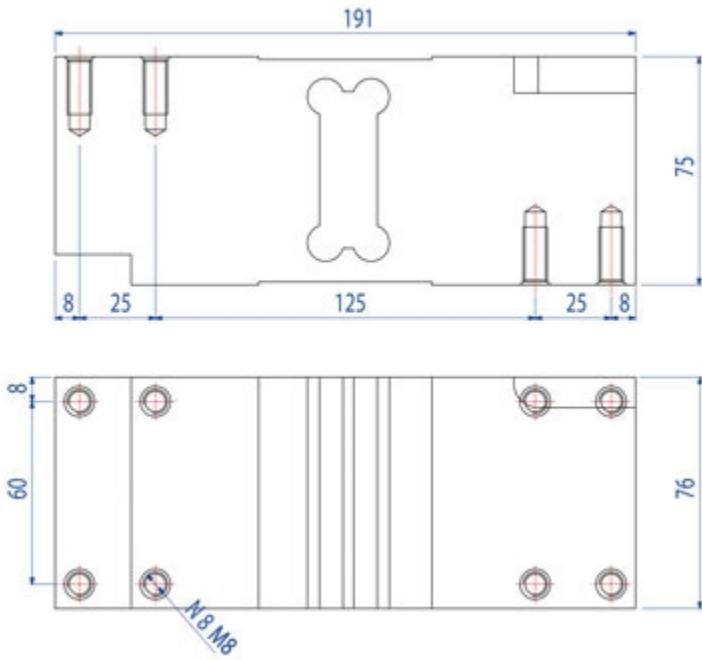
## TECHNICAL FEATURES

- Minimum load cell verification interval:  $V_{min} = E_{Max} / 15.000$
- Maximum number of verification intervals:  $n_{LC} = 3000$
- Sensitivity:  $2mV/V \pm 10\%$
- Temperature effect on zero: 0,01% FS/10K
- Temperature effect on Full Span: 0,001% FS/10K
- Compensated Temperature Range:  $-10^{\circ}C/+40^{\circ}C$
- Operating Temperature Range:  $-10^{\circ}C/+50^{\circ}C$
- Creep at nominal load in 30 minutes: 0,01% F.S.
- Maximum excitation voltage without damage: 15 Vdc
- Input Resistance: 300..500 Ohm
- Output Resistance: 300..500 Ohm
- Insulation Resistance: >2000 MOhm
- Mechanical limit load in service: 150% F.S.
- Destructive load: 300% F.S.
- Deflection at nominal load: <0,5mm
- 6-wire shielded cable, 3m long, 5mm diameter

## ATEX Version

- The CCATEX certificate makes the load cell suitable for use in hazardous areas with protection methods according to:  
ATEX II 1G Ex ia IIC T6 (Ta  $-20 \div +40^{\circ}C$ ) TX (Ta  $-20 \div +65^{\circ}C$ ) Ga  
ATEX II 1D Ex ta IIIC TX $^{\circ}C$  (Ta  $-20 \div +40^{\circ}C$ ) TX $^{\circ}C$  (Ta  $-20 \div +65^{\circ}C$ ) Da IP65.  
The certificate includes the manual and the ATEX CE conformity declaration (available in EN, DE, FR, and IT).
- **IMPORTANT:** the certificate refers to the single load cell. For systems with more load cells, it is necessary to order one certificate for each load cell.

## DETAIL 1






Dimensions (mm)

Wiring Code	
<i>Colour</i>	<i>Function</i>
YELLOW	SHIELD
WHITE	OUTPUT +
GREEN	SENSE +
BLUE	INPUT +
RED	OUTPUT -
GREY	SENSE -
BLACK	INPUT -

## VERSIONS

Available models

Code	Max (kg)	Platform l x w Max (mm)	Masterpack 4 pcs
SPN300 	300	800x800	SPN300C
SPN500 	500	800x800	SPN500C
SPN750 	750	800x800	SPN750C



www.diniargeo.com



“YOUR WORLDWIDE PARTNER FOR WEIGHING,”

**DINI ARGEO**  
**FRANCE sarl**  
Nogent-sur-Marne

**DINI ARGEO**  
**GMBH**  
Sinsheim - Germany

**DINI ARGEO**  
**UK Ltd**  
Taunton - United Kingdom

**DINI ARGEO WEIGHING**  
**INSTRUMENTS Ltd**  
Shanghai - China

**DINI ARGEO**  
**WEIGHBRIDGES**  
Calto (RO) – Italy



**HEAD OFFICE**  
Via Della Fisica, 20  
41042 Spezzano di Fiorano Modena - Italy



**VAHY PRO S.R.O.**

FUGNEROVA 345 - 40004 - TRMICE

Tel. 0042-0475620800 Fax. 0042-0475620800

vahypro@vahypro.cz

SALES AND TECHNICAL ASSISTANCE SERVICE